

950 Lever Action Poly Drum Pump

Description

Model 950 is a heavy-duty lever action pump designed for the transfer of light Chemicals & Solvents. The pump is made from polypropylene & is lightweight at 1.5kg. It is self priming, discharges on the down stroke, has 360° alignment versatility with locking ring, anti drip nozzle, & telescopic up-take pipe to suit 60 or 205 Litre Drums & storage tanks to 900mm (36") depth. Discharge is approximately 1/3 litre per stroke. 950-20 suitable for 20 litre drums. 950-V available with Viton seals. 950V is for use with more aggressive chemicals that are compatible with Viton seals.

Specifications

Uses	Mild acids, alkalis, oils, solvents, etc from 60L or 205L drums. Check compatibility charts.
Discharge Quantity	1/3 litre per stroke
Materials	Polypropylene / polyethylene piston and valves / Nitrile Seals OR Viton Seals (950-V)
Weight	1.5kg

Assembly instructions

1 Suction Tube

Connect the pump body to the telescopic suction tube by threading together. Being sure to use Teflon Tape (provided) for the thread connections.

Note: All connections must be air tight for the pump to create suction & operate correctly.

Operating Instructions

- 1 Ensure that suction tube is fully extended and that all thread connections are air tight.
- 2 With the aid of the bung adaptor, connect the pump to the 20, 60 or 205lt drum.
- 3 If pump is then aligned not as required, adjust 360° alignment fitting to enable pump to operate in required position.
- 4 Action the pump lever until you feel that the pump body is primed and after two or three further actions of the lever, liquid being transferred will appear at the pump outlet.
- 5 When you have finished transferring product, to ensure a long working life for your pump, please ensure that all liquid in the pump body is pumped through and out of the pump body into a smaller drum or back into the main drum.

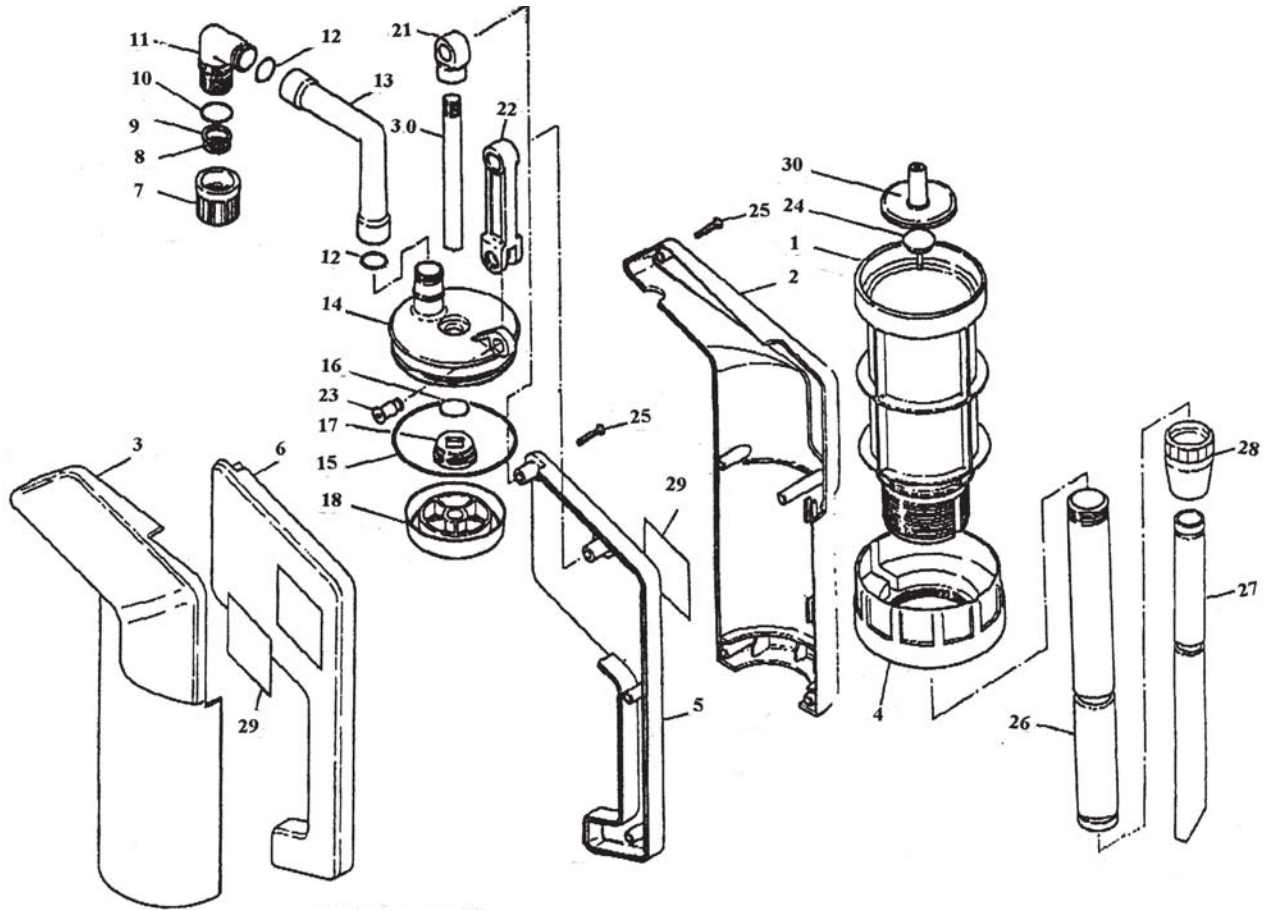
Failure to do will result in piston, valve and piston shaft being bathed in aggressive liquid which may cause pump to fail when you next go to use it.

Important to note:

Before pumping, always consult the parts list included to verify that each component is compatible with the chemical being pumped. A chemical compatibility list is available from your drum pump supplier or Alemite Lubrequip.



Parts And Drawing Breakdown 950



Ordering Spare Parts

Parts List – Part No. 950

ITEM	PART NO	DESCRIPTION
1	950-1	Pump Body
2	950-2	Right Side Pump Cover
3	950-3	Left Side Pump Cover
4	950-4	Alignment Adaptor
5	950-5	Right Side Pump Handle
6	950-6	Left Side Pump Handle
7	950-7	Strainer Housing
8	950-8	Strainer
9	950-9	Strainer
10	950-10	O Ring
11	950-11	Swivelling Outlet Nozzle
12	950-12	O Ring
13	950-13	Outlet Shaft
14	950-14	Pump Outlet Body

ITEM	PART NO	DESCRIPTION
15	950-15	O Ring
16	950-16	O Ring
17	950-17	Pump Rod Adaptor
18	950-18	Plunger
21	950-21	Rod Adaptor
22	950-22	Lever Fulcrum
23	950-23	Handle Pin
24	950-24	Plunger Valve
25	950-25	Screw
26	950-26	Suction Tube
27	950-27	Suction Tube
28	950-28	Adaptor
29	950-29	Label
30	950-30	Piston Rod

Trouble Shooting

Problem	Remedy
Pump does not pump	Check suction tubes to make sure they are airtight.
Handle is stiff to turn	<ol style="list-style-type: none"> 1 Lubricate with teflon spray lubricant. Rinse pump with water or other suitable solvent for chemical being pumped. 2 Open pump body and clean internal parts so they rotate freely. 3 If rotor (6) or vanes (5) are swollen from chemical permeation, they may need to be replaced.

Head Office NSW
TEL: (02) 9939 0711
FAX: (02) 9939 0411

VIC
TEL: (03) 8787 8288
FAX: (03) 8787 8266

QLD
TEL: (07) 3889 8480
FAX: (07) 3889 8490

SA/NT
TEL: (08) 8241 7111
FAX: (08) 8241 7011

WA
TEL: (08) 9209 3066
FAX: (08) 9209 3933

TAS
TEL: (03) 6343 0477
FAX: (03) 6343 0911