

Description

The 733 stainless steel drum pump is a manually operated drum pump designed specifically for the transfer of Chemicals and Solvents from 60 Litre or 205 Litre Drums. The pump is made of stainless steel or teflon components for exceptional chemical resistance. It is lightweight at only 3.0kgs and has an adjustable discharge spout. There are no aluminium parts which makes this pump suitable for use in underground mines. The 733 can transfer liquids at a rate of 20 Litres per minute.

Specifications

Suitable for	Acids, alkalis, ink, herbicides, pesticides, chemicals and solvents from 60 or 205L drums
Discharge Quantity	0.50 litres per stroke / 20 litres per minute
Materials	Stainless and teflon
Weight	3.0kgs
Bung Adaptor	2 " BSP standard bung adaptor. Others available.

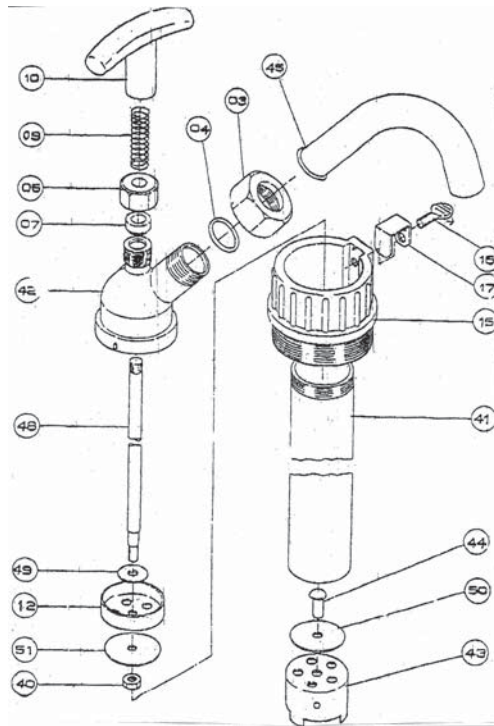
Operating Instructions

- 1 Lift the T handle 3 or 4 times and then the pump is primed and ready to operate.
- 2 When you are finished transferring the chemical, solvent or acid being pumped, please ensure that all fluid is dispensed from the pump otherwise the fluid may set in the pump or may attach the Teflon seals within the pump.
- 3 When you lift the T handle and piston rod, the pump is being primed and when you push down on the T handle, the fluid within the pump will be dispensed.
- 4 The 733 stainless steel drum pump has a flapper valve at the bottom of the pump and it is this valve that enables the pump to transfer fluid. If the pump fails to transfer fluid most likely you will require a new flapper valve Part No. 733-12.
- 5 Other packings including Part No's 733-12, 733-4 and 733-7 may also need replacing over time.

Thank you for choosing to use an Alemite product for your transfer needs and should you have any questions in regard to the assembly or operation of your new Alemite Lubrequip 733 push pull action chemical & solvent transfer drum pump we look forward to hearing from you on the appropriate state phone no below



Parts And Drawing Breakdown For The 733



Ordering Spare Parts

Parts List – Part No. 733

ITEM	PART NO	DESCRIPTION	MATERIAL	QTY
3	733-3	Coupling Nut	304SS	1
4	733-4	Spout Seal	Teflon	1
6	733-6	Packing nut	304SS	1
7	733-7	Packing	Teflon	1
9	733-9	Spring	SS41	1
10	733-10	Handle	Nylon	1
12	733-12	Upper Piston	Teflon	1
15	733-15	Adaptor	Polypropylene	1
16	733-16	Screw	SS41	1
17	733-17	Safety Plate	SS41	1
15, 16, 17	733-15-16-17	Adaptor complete	316SS	1
40	733-40	Hex Nut	304SS	1
41	733-41	Cylinder Body	304SS	1
42	733-42	Cylinder Cap	304SS	1
43	733-43	Lower Piston	304SS	1
44	733-44	Rivet	304SS	1
45	733-45	Spout	304SS	1
48	733-48	Piston Rod	304SS	1
49	733-49	Upper Piston Washer	304SS	1
50	733-50	Piston Washer	304SS	1
51	733-51	Piston Washer	304SS	1

Trouble Shooting

PROBLEM	REASON	REMEDY
Pump will not prime	Faulty flapper valve (733-12)	Replace flapper valve
Pump leaking	Faulty rod packing (733-7)	Replace rod packing
Pump will not connect to drum	Non standard drum	Contact local distributor and discuss the issue with him (Mauser type or Trisure buttress bung adaptor required)

Head Office NSW
TEL: (02) 9939 0711
FAX: (02) 9939 0411

VIC
TEL: (03) 8787 8288
FAX: (03) 8787 8266

QLD
TEL: (07) 3889 8480
FAX: (07) 3889 8490

SA/NT
TEL: (08) 8241 7111
FAX: (08) 8241 7011

WA
TEL: (08) 9209 3066
FAX: (08) 9209 3933

TAS
TEL: (03) 6343 0477
FAX: (03) 6343 0911